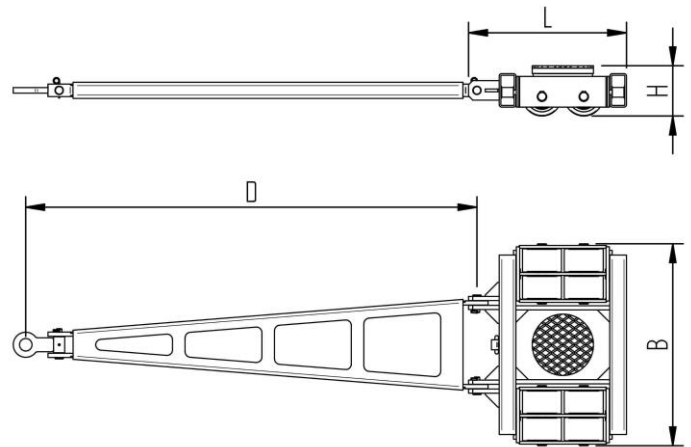


Fact sheet **ECO-Skate** X16L

Load moving system, steerable, 3-load points

HTS



Specification:

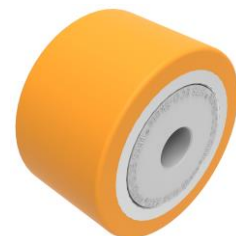
Heavy-duty load moving system for the professional indoor heavy load transport on clean, smooth and level floors, incl. pulling bar with grab handle or pulling eye, turntable with anti-slip rubber pad and high-quality HTS 3-component polyurethane wheels, which are abrasion-resistant, cut-resistant and non-marking as well as suitable for smooth and level floors with slight unevenness. In combination with an S or DUO load moving system with the same installation height, it forms a secure overall system with 3 load points.

Technical data of load moving system:

# 10 160 02 10	Ø 220 mm	$19,3 \times 78 = 1506 \text{ mm}^2$ ▼ 13,0 MPa
MAT PU, AL, 93 Shore A	L x B x H 568 x 724 x 180 mm	120,5 cm ²
16000 daN	D = 1620 mm	800 daN*
# 8	133 kg	480 daN*

Equipped with the following wheel:

# 11 140 20 25	$19,3 \times 78 = 1506 \text{ mm}^2$ ▼ 13,0 MPa
MAT PU, AL, 93 Shore A	2000 daN
Ø140x85 - Ø30 mm	V _{max} = 2 km/h



Please always observe the operating instructions, their safety instructions and local conditions!

# Part No.	# Number of wheels	Area in mm ²	Area mm ² of the roller surface pressure ▼ N / mm ²	Traction* in daN, required force to move the load at a steady speed of 2 km/h under ideal conditions
MAT Wheel material layer, core: AL Aluminium, NY Nylon PU Polyurethane, ST Steel	Dimensions of wheel, inside ball bearing diameter mm	Dimensions in mm L x B x H	Loaded area per skate in cm ²	
Carrying Capacity of load moving skate in daN at 2km/h max.	Weight kg	Steering bar length D for L, adjustability V for S and DUO skate systems	Starting resistance* in daN, required force to start moving, under ideal conditions	* Varies depending on the tolerances of the floor and ambient situation. All information without guarantee.