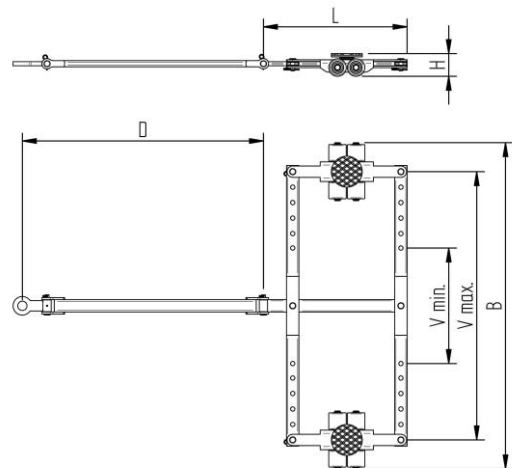


Fact sheet **ECO-Skate** iN80D-CR

Load moving system, steerable, 4-load points

HTS



Specification:

Heavy-duty load moving system for the professional indoor heavy load transport on clean, smooth and level floors. Including connecting rod, anti-slip rubber pad and high-quality HTS nylon wheels, which are abrasion-resistant, non-marking and suitable for all smooth and level floors. In combination with a L- or ROTO skate with the same installation height it forms a safe overall system with 3 load points, in combination with a DUO, S or two ROTO skates a complete system with 4 load. Please note the steering angle of max. 45°. When fully utilized steering angle of the skate system, no additional steering angle of the traction unit must be made (see operating instructions).

Technical data of load moving system:

# 12 080 01 30	Ø 150 mm	$6,0 \times 80 = 480 \text{ mm}^2$ ▼ 20,8 MPa
MAT NY, 80 Shore D	L x B x H 717 x 1581 x 110 mm	38,4 cm ²
2 x 4000 daN	D = 1170 mm V = 560 - 1300 mm	200 daN*
2 x 4	46 kg	160 daN*

Equipped with the following wheel:

# 11 085 10 14	$6,0 \times 80 = 480 \text{ mm}^2$ ▼ 20,8 MPa
MAT NY, 80 Shore D	1000 daN
Ø85x87 - Ø25 mm	$V_{\text{max}} = 2 \text{ km/h}$



Please always observe the operating instructions, their safety instructions and local conditions!

# Part No.	# Number of wheels	Ø Load Area in mm	Area mm ² of the roller surface pressure ▼ N / mm ²	→ Traction* in daN, required force to move the load at a steady speed of 2 km/h under ideal conditions
MAT Wheel material layer, core: AL Aluminium, NY Nylon PU Polyurethane, ST Steel	Dimensions of wheel, inside ball bearing diameter mm	Dimensions in mm L x B x H	Loaded area per skate in cm ²	
Carrying Capacity of load moving skate in daN at 2km/h max.	Weight kg	Steering bar length D for L, adjustability V for S and DUO skate systems	Starting resistance* in daN, required force to start moving, under ideal conditions	* Varies depending on the tolerances of the floor and ambient situation. All information without guarantee.